

PIVOT 4Lt Chandelier

3-407-xxxx

oxygen

FIXTURE TYPE _____

LOCATION _____

PROJECT _____

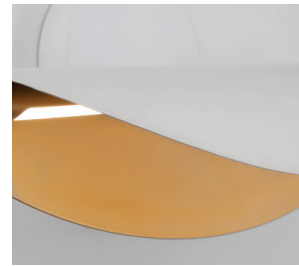
DATE _____



-40 Aged Brass

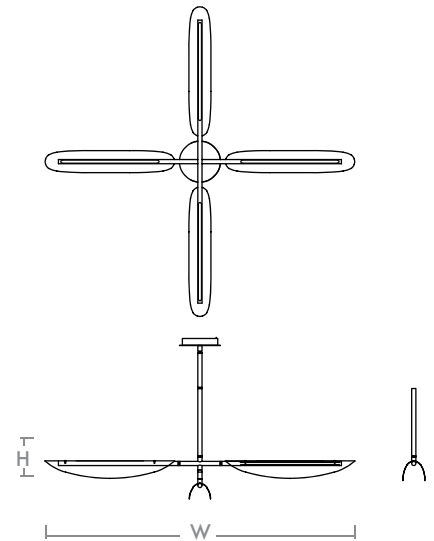


-1540 Black/Aged Brass



-640 White / Aged Brass

LIGHT SOURCE	(4x) 7W LED Array, 3000K, CRI 90
LUMINAIRE POWER	28.94W
RATED LIFE	50000 hr RL
OPTIONAL COLOR TEMPERATURES	Field Selectable 3000K/3500K/4000K CCT Note: Oxygen Standard setting is 3000K
LUMEN OUTPUT	1741.6 Lm (LM-79)
INPUT VOLTAGE	120-277V
DRIVER OUTPUT	33W
DIMMING	Triac dimming 10-100%
CONSTRUCTION	Cold Rolled Steel, Acrylic
DIFFUSER	Formed painted steel
FINISHES	40 Aged Brass, 640 White/Aged Brass, 1540 Black/Aged Brass
MOUNTING	Installs to a 4" octagonal junction box
STANDARDS	cUL Damp Listed, ADA Compliant, Conforms to UL STD 1598, Certified CAN/CSA STD C22.2 No 250.0.



DIMENSIONS

W: 55"
H: 7"
OAH: Adjustable using
provided rods (2)8" Long,
(2)12" L, (3)16" L.

Order example for standard fixture:
3-407-40 (x-xxx: LED Sequence # / -xx: Finish)
Order example for optional color temperatures: **3-6017-**
27: 2700K, **35:** 3500K, **40:** 4000K

