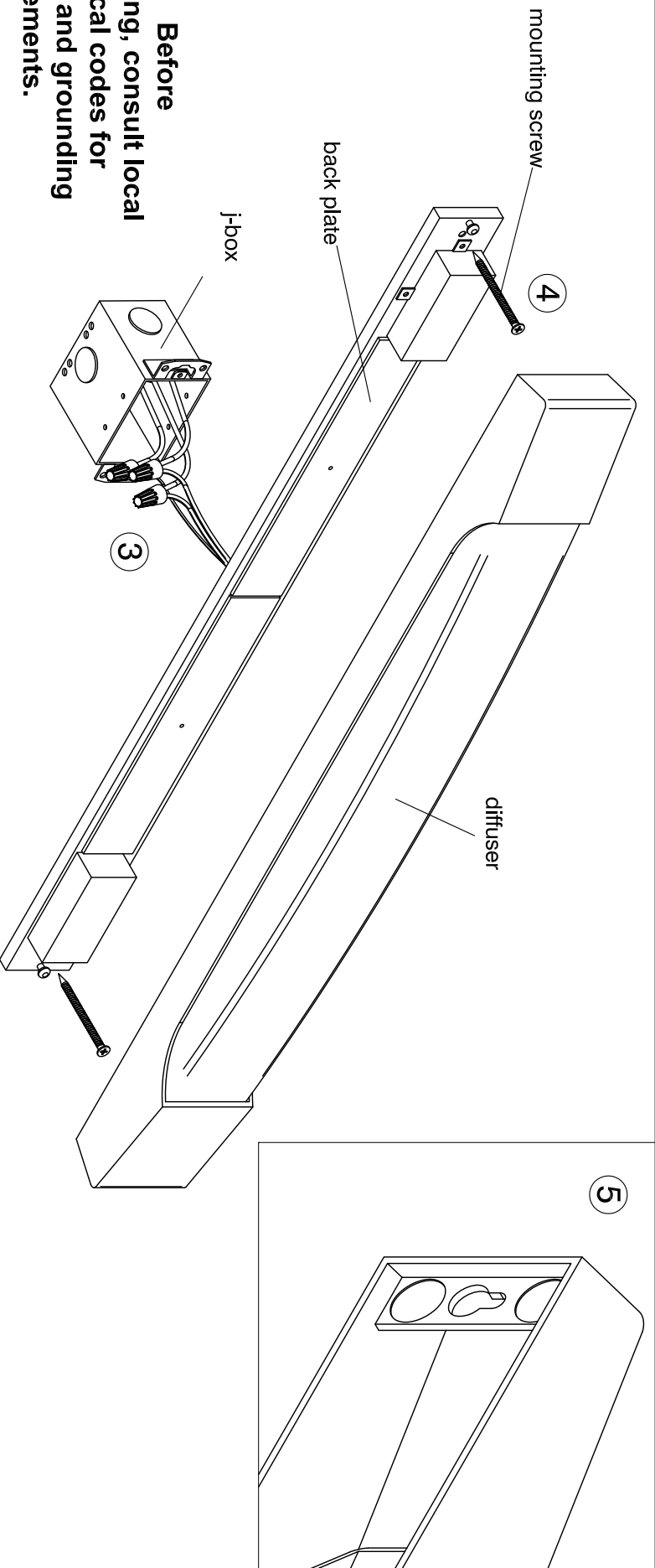


# ASSEMBLY AND INSTALLATION INSTRUCTIONS

**WARNING: TO AVOID RISK OF ELECTRICAL SHOCK, BE SURE TO SHUT OFF POWER PRIOR TO INSTALLING OR SERVICING THIS FIXTURE.**



**NOTE: Before installing, consult local electrical codes for wiring and grounding requirements.**

## Installation Steps

1. Carefully unpack your new fixture and lay out all the parts on clean surface. Take care not to lose any small parts necessary for installation.
2. Remove back plate from fixture. Hold the mounting plate on the wall to match the mounting position and drill a 1/4" hole through the mounting plate holes at ends of mounting plate. Insert the plastic anchors into the 1/4" holes.
3. Make wire connections. Attach ground wire using a ground wire using a wire nut or attach them to the mounting plate with a green ground screw.
  - **FOR DIMMING:** If using a dimmer (not included), follow wiring instructions enclosed with dimmer. Double check wiring. Tuck the wire connections neatly into the junction box.
  - **FOR NON-DIMMING:** If not using a dimming switch, with wire nuts, cap off purple and gray wires individually. Wire positive wire with positive wire, negative wire with negative wire.Double check wiring. Tuck the wire connections neatly into the junction box.
4. Secure the back plate to the wall over the j-box by installing the mounting screws to the wall. back plate should be secure against wall.
5. Place the diffuser over the back plate in the up position as shown in illustration. Slide down to secure into **APOLLO SCONCE**  
120v **3-524-XX, 3-525-XX, 3-526-XX**  
277v **37-524-XX, 37-525-XX, 37-526-XX**
6. Turn power back on at fuse or circuit box.

# oxygen

OXYGEN LIGHTING

201 RAILHEAD RD, FORT WORTH, TX 76106

TEL. (877) 607-0202 FAX (877) 607-0203

WWW.OXYGENLIGHTING.COM

ASSEMBLY INSTRUCTIONS