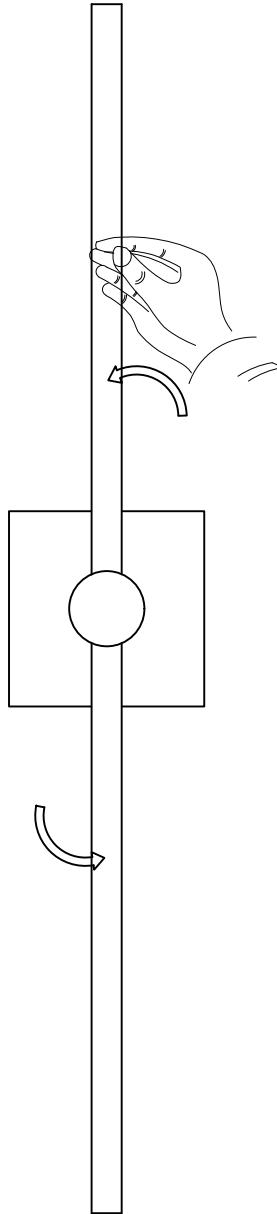
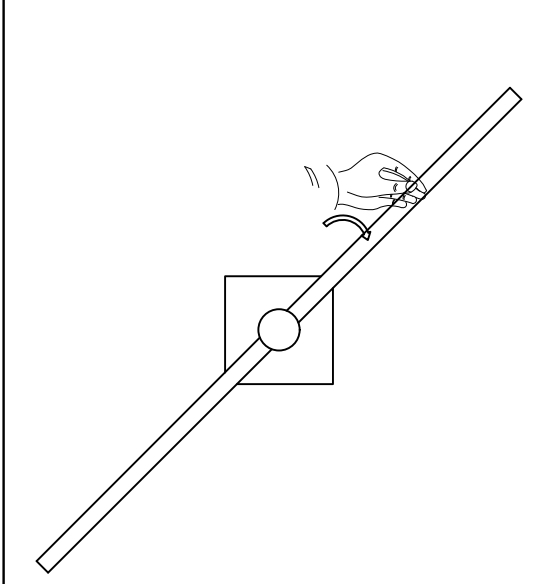
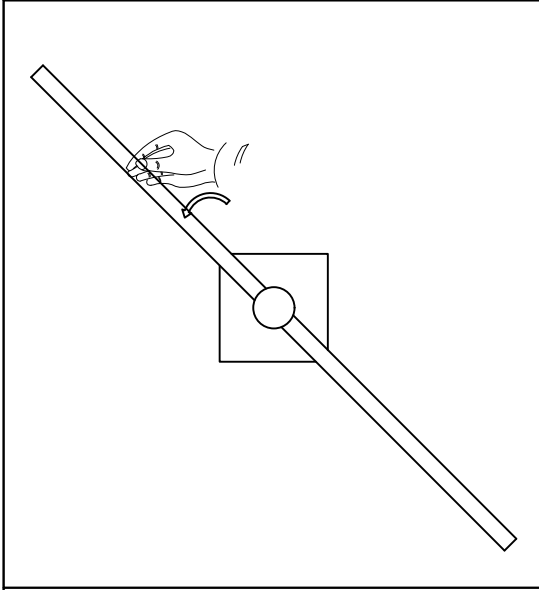


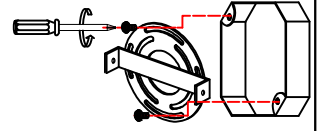
ASSEMBLY AND INSTALLATION INSTRUCTIONS

WARNING: TO AVOID RISK OF ELECTRICAL SHOCK, BE SURE TO SHUT OFF POWER PRIOR TO INSTALLING OR SERVICING THIS FIXTURE.

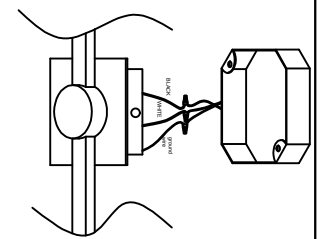
NOTE: Before installing, consult local electrical codes for wiring and grounding requirements.



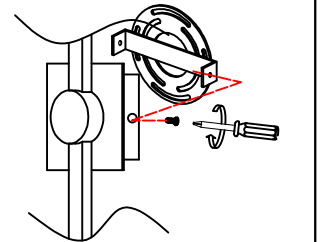
STEP 2



STEP 3



STEP 4



Installation Step

1. Carefully unpack your new fixture and lay out all the parts on a clean surface. Take care not to lose any small parts necessary for installation.
2. Remove fixture screws to release mounting plate. If necessary, set the desired angle of light rod by loosening the hex nuts inside the fixture housing. Light rod can swivel 45° left or right of center. **DO NOT swivel light bar beyond 45° as not to damage the LED module and wiring.** Set the desired angle and tighten hex nuts to secure the angle.
3. Thread building wires through mounting plate, then secure mounting plate with tapping screws and j-box screws.
4. Make wire connections.
 - Refer to driver label for wire identification.
 - Attach ground wire to the mounting plate with a green ground screw, then connect building ground wire using a wire nut.
 - Attach white wire (neutral) from driver to white wire from building using a wire nut.
 - Attach black wire (hot) from driver to black wire from building using a wire nut.
 Tuck the wire connections neatly into the junction box.
5. Place fixture over mounting plate and reinstall fixture screws to securely mount fixture to wall.
6. Turn on the power at fuse or circuit box.

OXYGEN LIGHTING ©

oxygen

ZORA Vanity

3-53-1550 / 3-53-650

3-54-1550 / 3-54-650

ASSEMBLY
INSTRUCTIONS