

**BRIO Pendant**  
**3-6018-xx**

oxygen

FIXTURE TYPE \_\_\_\_\_

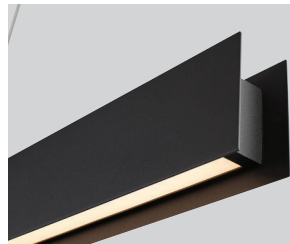
LOCATION \_\_\_\_\_

PROJECT \_\_\_\_\_

DATE \_\_\_\_\_



-15 Black



-15 Black



-60 PGL

**LIGHT SOURCE** (1x) 89W LED Array, BI-DIRECTIONAL (Up and Down Light) 3000K, 90 CRI (Ra)

**LUMINAIRE POWER** 86.1W

**RATED LIFE (L70)** 50000 hr RL

**COLOR TEMPERATURE** 3000K

**LUMEN OUTPUT** 1243 Lm (LM-79)

**INPUT VOLTAGE** 120V

**DRIVER OUTPUT** 1200mA, 55W Max

**DIMMING** TRIAC and ELV dimming at 120V AC

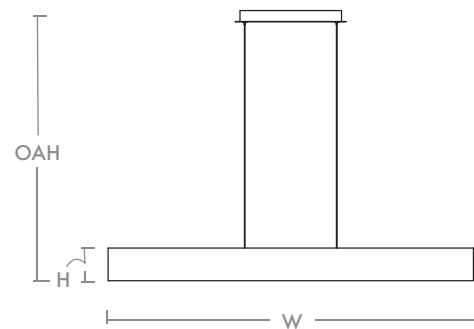
**CONSTRUCTION** Powder Coated Cold Rolled Steel

**DIFFUSER** - Matte White Acrylic

**FINISHES** -15 Black, -60 PLG

**MOUNTING** 4" Octagonal J-Box

**STANDARDS** cUL Damp Listed, ADA Compliant, Conforms to UL STD 1598, Certified CAN/CSA STD C22.2 No 250.0.



**DIMENSIONS**

**Canopy:** 14"L x 5.9"W x 1.375" Ht

**W:** 46"

**H:** 4.25"

**OAH:** Provided with 10' adjustable cable

Order example for standard fixture:  
**3-6018-15** (x-xxx: LED Sequence # / -xx: Finish)

