

MAIA Outdoor
3-740-xx

oxygen

FIXTURE TYPE _____

LOCATION _____

PROJECT _____

DATE _____



-16 Gray

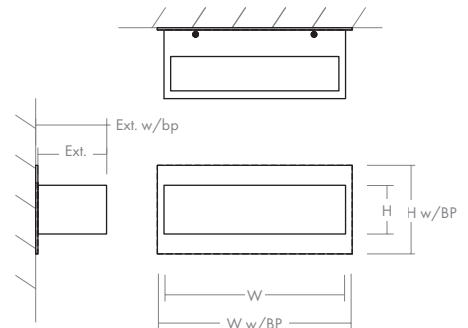


-22 Oiled Bronze



Top View

LIGHT SOURCE	1 x 10.1W LED, 3000K, CRI 90
LUMINAIRE POWER	12.3W at 120V
RATED LIFE	60000 hr RL
OPTIONAL COLOR TEMPERATURES	2700K, 3500K, 4000K
LUMEN OUTPUT	Delivered: 375 lm (LM-79)
INPUT VOLTAGE	120V to 277V AC, 50/60Hz
DRIVER OUTPUT	350mA, 14.7W max output
DIMMING	TRIAC and ELV dimming at 120V AC; 0-10V dimming, 100% to 1% current output
CONSTRUCTION	Cast Aluminum and Polycarbonate
DIFFUSER	- White Polycarbonate
FINISHES	Gray (-16), Oiled Bronze (-22)
MOUNTING	4" Octagonal J-Box**, 4" Square J-Box* with a single device mud ring *Deep J-Box (Required to house driver) **Deep J-Box and Backplate required to cover J-Box (Installer must provide a bead of caulk between fixture housing and mounting surface)
STANDARDS	UL Wet listed, ADA Compliant, Conforms to UL STD 1598, Certified CAN/CSA STD C22.2 No 250.0.



DIMENSIONS

- W:** 10.25"
- H:** 2.75"
- Ext:** 3.88"
- M.C:** 1.38" From top of fixture

With optional backplate

- W:** 11.00"
- H:** 5.00"
- Ext:** 4.00"
- M.C:** 2.50" From top of fixture

Order example for standard fixture:

3-740-22 (x- Voltage - xxx-Sequence # - xx-Finish)

3: 120V to 277V

Order example for optional color temperatures: **3-740-2722**

27: 2700K, **35:** 3500K, **40:** 4000K

