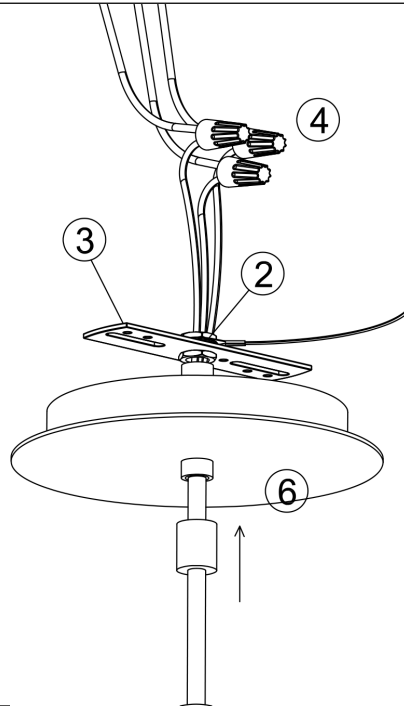


# ASSEMBLY AND INSTALLATION INSTRUCTIONS

**WARNING: TO AVOID RISK OF ELECTRICAL SHOCK, BE SURE TO SHUT OFF POWER PRIOR TO INSTALLING OR SERVICING THIS FIXTURE.**

**NOTE: Before installing, consult local electrical codes for wiring and grounding requirements.**



## Installation Steps

1. Carefully unpack your new fixture and lay out all the parts on a clean surface. Take care not to lose any small parts necessary for installation.
2. Set up desired length of cord and secure strain relief. If cord has been cut, reconnect red wire to the opposing red terminal, and blue wire to the opposing blue terminal.
3. Secure the crossbar to the outlet box by threading the two outlet box screws through the key holes.
4. Make wire connections. Attach ground wire to building ground wire using a wire nut.
  - **FOR DIMMING:** If using a dimmer (not included), follow wiring instructions enclosed with dimmer. Note: For phase dimming, cap off gray and purple wires as they are only used for 0-10V dimming. Double check wiring. Tuck the wire connections neatly into the junction box.
  - **FOR NON-DIMMING:** If not using a dimming switch, with wire nuts, cap off purple and gray wires individually. Wire neutral (white) wire with neutral wire, hot (black) wire with hot wire. Double check wiring.
5. Tuck the wire connections neatly into the junction box.
6. Slide canopy and canopy plate over threaded pipe. Secure using threaded coupling.
7. Turn power back on at fuse or circuit box.

**ELLIPSE pendant  
3-667-xx**

OXYGEN LIGHTING ©

**oxygen**

OXYGEN LIGHTING  
201 RAILHEAD RD, FORT WORTH, TX 76106  
TEL. (877) 607-0202 FAX (877) 607-0203  
WWW.OXYGENLIGHTING.COM

**ASSEMBLY INSTRUCTIONS**