

# THE DAMP WINDMILL CEILING FAN INSTALLATION INSTRUCTIONS

Please read and save these instructions



**U.S. Patent No. 10,465,693**  
**U.S. Design Patent No. D816,826**

**These instructions are to be used in  
the installation of the following  
QUORUM INTERNATIONAL fans...**

The Damp Windmill 44"  
(w/ optional light feature)

**Q**UORUM  
INTERNATIONAL

© 2018 Quorum International. All Rights Reserved.

# QUORUM'S UNIQUE LIMITED LIFETIME WARRANTY

This warranty gives you specific legal rights, and you may also have other rights which vary from state to state.

## WHAT IS COVERED-

Except as specified below, the manufacturer of this product warrants it to be free of all defects in workmanship and material.

## WHAT IS NOT COVERED BY THIS WARRANTY-

1. All costs of removal or reinstallation of the fan.
2. Damage resulting from failure to follow instructions contained herein.
3. Damage occurring during shipment of the product (claims must be presented to the carrier).
4. Damage resulting from accident, misuse, abuse, or neglect.
5. Damage resulting from the application of any exterior coating, or by the addition of any unapproved accessories.
6. Damage resulting from repair or attempted repair by anyone other than the manufacturer.
7. Damage resulting from causes other than product defects, including lack of

technical skill, competence, or experience of the user.

8. Light bulbs, glass or acrylic components or accessories.

9. Minor occurrences of wobble are accepted as normal and should not necessarily be considered a defect.

## WHO MAY ENFORCE WARRANTY-

This warranty may be enforced only by the original purchaser. The end user must possess a dated proof of purchase from an authorized Quorum dealer to establish a warranty claim.

## LENGTH OF THE WARRANTY -

1. For the fan motor - for the lifetime of the original purchaser.
2. For everything else, except blades and finish - one year from the date of purchase.
3. For fan blades and finish - 90 days from the date of purchase.

## WHAT WE WILL PAY FOR -

We agree to correct defects outlined in the warranty without charge, or at our option replace the fan with an equivalent or

superior product if the defective unit is returned prepaid to us.

## TO GET WARRANTY SERVICE -

To obtain warranty service, the product must be returned prepaid to Quorum. (This warranty is not enforceable outside the United States.) Details regarding return shipment are explained elsewhere in this manual. Whenever warranty service is required, ***you must present a copy of the original dated sales receipt as proof of coverage.***

***There is no other express warranty. Quorum hereby disclaims any and all implied warranties, including but not limited to those of merchantability of fitness for a particular purpose to the extent permitted by law. Quorum shall not be liable for incidental, consequential, or special damages arising out of or in connection with the product use or performance except as may otherwise be accorded by law. The duration of any implied warranty which cannot be disclaimed is limited to the periods specified above in the express warranty.***

# WARRANTY SERVICE

1. Most problems can be handled by our customer service agents over the telephone. Customers seeking warranty repair or replacement for any fan or component are encouraged to call us for assistance. All returns must be issued a Return Goods Authorization number (RGA) prior to returning the defective unit or part. Call (817) 626-5483 - Monday thru Friday 8:00 a.m. - 5:00 p.m. CST to obtain a RGA number.
2. Arriving shipments will be refused if they do not bear a valid RGA number on the outside packaging.

3. A dated proof of purchase must accompany any fan or component clearly indicating the name of the original purchaser.
4. To avoid damage in transit, the product should be returned in its original box and packaging. Quorum will not bear responsibility for any shipping damage.
5. Any return of a fan or component must be shipped freight and insurance prepaid.

## FOR YOUR RECORDS

Purchased From \_\_\_\_\_  
City \_\_\_\_\_ State \_\_\_\_\_  
Fan Model No. \_\_\_\_\_  
Date Purchased \_\_\_\_\_

**Complete and mail the enclosed warranty card within 10 days to ensure your warranty is registered.**

**If you have any questions regarding the warranty, or the procedures for obtaining service, please call us at (817) 626-5483 - Monday thru Friday 8:00 a.m. - 5:00 p.m. CST.**

# 1. SAFETY RULES

Model# 194410-xx: 25.33 lbs

1. To avoid possible electric shock, **turn off the electricity** at the main fuse box or circuit panel before you begin the fan installation or before servicing the fan or installing accessories.
2. Read all instructions and safety information carefully before installing your fan and **save these instructions**.
3. Make sure all electrical connections comply with local codes or ordinances as well as the National Electrical Code. If you are unfamiliar with electric wiring, please use a qualified and licensed electrician.
4. Make sure you have a location selected for your fan which allows clear space for the blades to rotate, and at least seven (7) feet of clearance between the floor and the fan blade tips.
5. To reduce the risk of fire, electric shock, or other personal injury, mount fan only on an outlet box or supporting system marked **acceptable for fan support of 35 lbs (15.9 kg) or less** and use mounting screws provided with the outlet box. Most outlet boxes commonly used for the support of lighting fixtures are not acceptable for fan support and may need to be replaced. Consult a qualified electrician if in doubt.
6. To reduce the risk of personal injury use only approved hanging brackets and screws supplied with the outlet box for mounting to the outlet box.
7. After installation is complete, check that all connections are absolutely secure.
8. Do not insert anything into the fan blades while they are rotating.

9. To operate the reverse function on the fan, press the reverse button on the transmitter while the fan is running.
10. Do not attempt to control the operation of the fan (or an optional light kit) from any wall control that is not approved by Quorum for use with its fans. Do not use solid state wall controls. The use of any unapproved control voids the fan's warranty.

## TOOLS REQUIRED FOR INSTALLATION

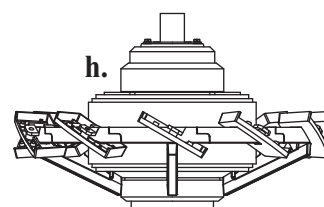
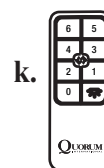
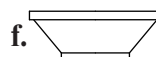
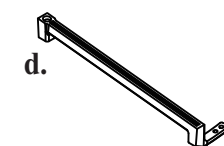
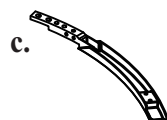
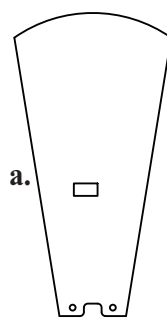
Phillips Screwdriver  
Wire Cutters  
Electrical Tape  
Step Ladder

# 2. UNPACKING YOUR FAN

**CAUTION: DO NOT LIFT MOTOR ASSEMBLY BY THE OUTER RING. LIFTING BY THE OUTER RING PORTION WILL LIKELY CAUSE DAMAGE.**

Unpack your fan and check the contents. Do not discard the carton. If warranty replacement or repair is ever necessary the fan should be returned in original packaging. Remove all parts and hardware. Do not lay motor housing on its side - because the decorative casing may shift. Check all visible screws, bolts and nuts for tightness. Examine all parts. The following parts should be included:

1. Set of ABS blades (10 pcs) (a)
2. Blade deco plates (10 pcs) (b)
3. Blade deco bars (10 pcs) (c)
4. Blade arms (5 pcs) (d)
5. Hanging bracket (e)
6. Canopy (f)
7. Canopy cover (g)
8. Fan motor assembly (h)
9. Downrod assembly (6") (i)
10. Yoke cover (j)
11. Transmitter incl. 3V (CR2032) battery, 2 mounting screws and holder (k)
12. Parts bags (l) containing:
  - Blade attachment hardwares (5 pcs)
    - Screw No. 1: Blade deco plate screws (5/32"x22mm) (21 pcs)
    - Screw No. 2: Blade deco bar screws (5/32"x10mm) (21 pcs)
    - Screw No. 3: Blade secure screws with fiber washers (3/16"x9mm) (21 pcs)
    - Screw No. 4: Blade arm screws with lock washers (1/4"x38mm) (6 pcs)
    - Screw No. 5: Blade arm screws with lock washers (3/16"x15mm) (11 pcs)
  - Mounting hardware (3 wire nuts)



## NOTE:

Some Quorum fan models will have slightly different parts than what is shown here depending upon the design you have chosen. Basic installation procedures are similar for all models.

IF YOU FIND THAT PARTS ARE MISSING. CONTACT YOUR DEALER FOR REPLACEMENT, OR CALL QUORUM DIRECTLY AND WE WILL MAIL REPLACEMENTS TO YOU IMMEDIATELY.

# 3. MOUNTING OPTIONS

1. Disconnect the power by removing fuses or turning off circuit breakers.
2. If there is an existing outlet box, ensure it is clearly marked "**Suitable for Fan Support of 35 lbs (15.9 kg) or less**". If it is not so marked, it must be replaced with an approved one.

**WARNING:** Most outlet boxes commonly used for support of lighting fixtures are not acceptable for fan support, and may need to be replaced. Due to the complexity of the installation of this fan, a qualified licensed electrician is strongly recommended.

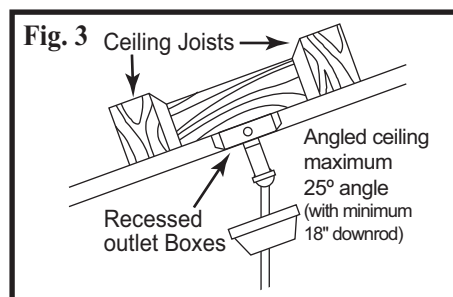
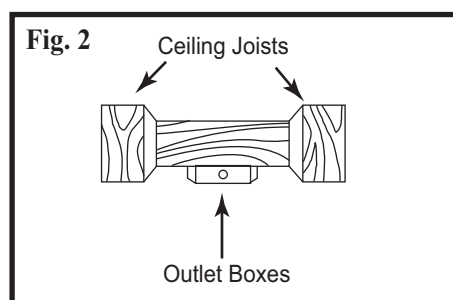
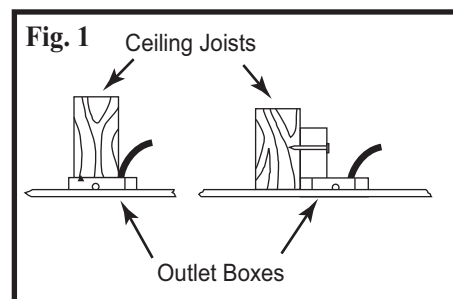
3. Secure the outlet box (or make sure the existing box is secured) directly to the building structure. Use appropriate fasteners and building materials.

4. Figures 1,2 and 3 are examples of different ways to mount the outlet box in different situations. A longer downrod may be required in sloped ceiling situations to maintain proper blade clearance. Fan will mount at 25 degrees maximum with minimum 18" downrod (Fig. 3)

**WARNING:** TO REDUCE THE RISK OF ELECTRIC SHOCK, FIRE, OR PERSONAL INJURY, MOUNT THE FAN ONLY TO AN OUTLET MARKED ACCEPTABLE FOR FAN SUPPORT OF 35 LBS (15.9 KG) OR LESS AND USE MOUNTING SCREWS PROVIDED WITH THE OUTLET BOX.

**CAUTION:** DO NOT USE WITH SLOPE CEILING ADAPTER ACCESSORY.

**NOTE:** MAXIMUM OPTIONAL DOWNROD LENGTH 48".



# 4. HANGING YOUR FAN

**WARNING** -Turn off the power!

**WARNING** - To avoid damage to fan parts (especially the downrod yoke), **DO NOT** use pneumatic or electric drivers exceeding to 23 KGS of torque.

**CAUTION:** ALL PARTS ASSEMBLY SHOULD BE WORKED AT THE FLOOR.

1. If not already affixed to the hanger bracket, place the rectangular rubber isolators between the hanger bracket and outlet box. Secure the hanger bracket to the outlet box using the 2 long steel screws supplied with the outlex box.

2. Remove the set pin and safety lock clip from the yoke on top of the motor assembly. Slide the downrod through the canopy and canopy cover. Slide the yoke cover onto the downrod (Fig. 4). Feed the safety cable and wires from the fan motor through the downrod assembly.

3. (Fig. 5) Attach the downrod assembly (downrod, yoke cover, canopy and canopy cover) to the motor by sliding the downrod into the yoke on top of the motor assembly. Slide the set pin through the hole in the yoke, downrod and secure it with the safety lock clip. Tighten the set screws on yoke. The yoke cover will lower down to conceal the yoke. Feed the safety cable and wires through the downrod ball.

Fig. 4

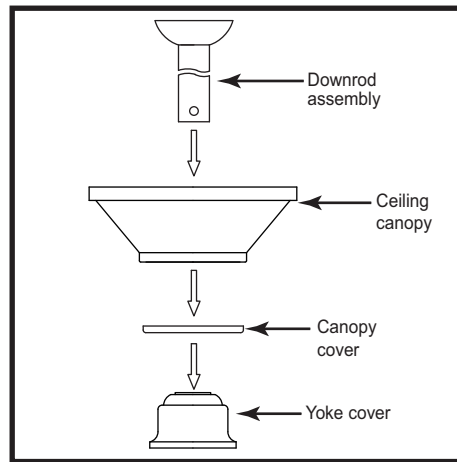
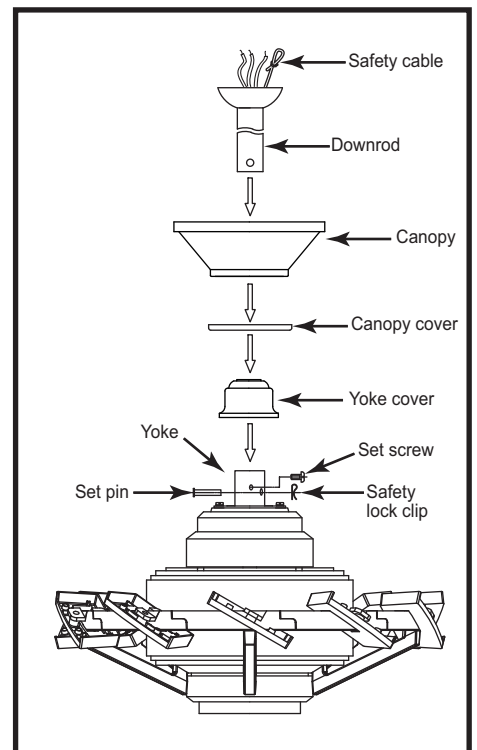


Fig. 5



# 5. ATTACHING THE FAN BLADES

**WARNING** -Turn off the power!

**NOTE:** Please see the label of the blade side up as illustration shown for assembly.

1. Slide the blade deco plate to position the blade hole on the center of the blade. Insert the blade deco bar into the hole in the blade and secure with a blade deco plate screws (Screw No. 1). (Fig. 6 & 7) **Caution: Do not tighten screws at this point. All screws will be tightened after the complete assembly of blades on the fan.**

2. Assemble each blade as in step 1/ Fig. 6 & 7 to complete the blade circle. Align the holes on the blade deco bars and secure with the blade deco bar screws (Screw No. 2), as show on Fig.8.

**Caution: Do not tighten screws at this point. All screws will be tightened after the complete assembly of blades on the fan.**

3. Follow the same assembly process through the 14th blade.

4. Slightly lift the 14th blade to position the 15th blade and screw it to complete the blade circle. (Fig. 9)

Fig. 6

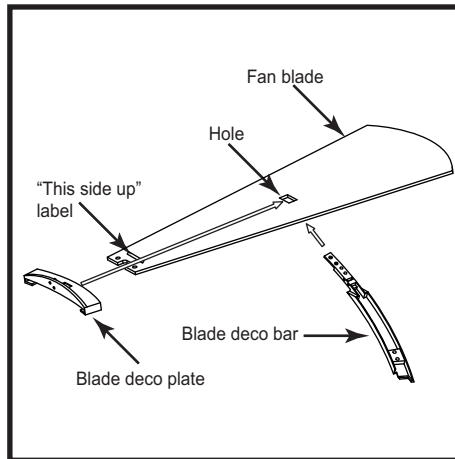


Fig. 7

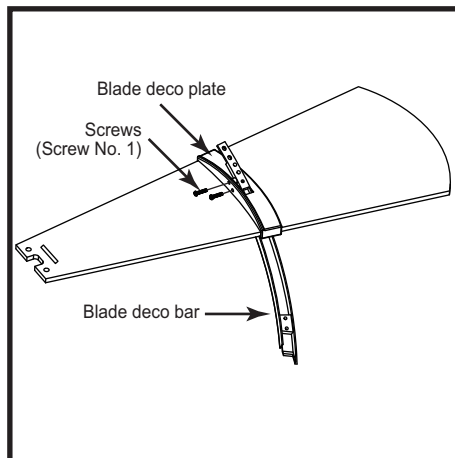


Fig. 8

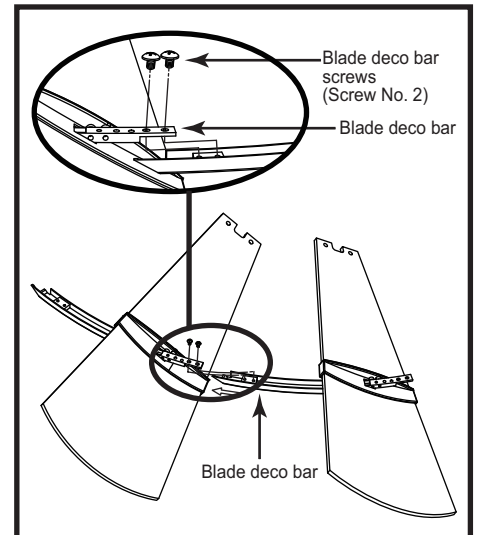
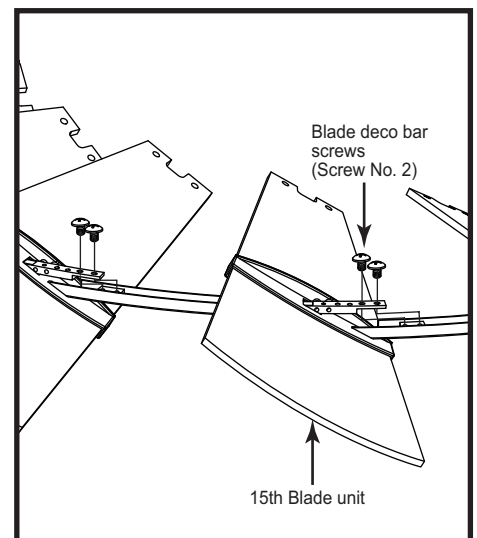


Fig. 9



# 6. ATTACHING THE BLADE ARMS

**WARNING** -Turn off the power!

1. Carefully lift the blade circle to the fan assembly. (Fig. 10)

**Important assembly process**, it is a must to require 3 persons at least to lift the blade circle evenly onto the fan body and positioning the blade holes at inner circle. **Suggestion:** 3 persons at least for the jobs to prevent any cracks.

2. Fasten the blade assemblies to the blade holder with the blade secure screws with fiber washers (Screw No. 3). Securely tighten the two screws. (Fig. 11) Repeat this procedure with the remaining blades.

3. Secure the 5 blade arms to the motor housing and blade circle by tightening the blade arm screws with lock washers provided. (Screw No. 4 & 5) (Fig. 12)

4. Repeat this procedure for the remaining blade arms.

5. Now is the time to tighten all the blade and blade arm screws. Be sure all screws are fully tightened. Be sure not to forget screws No. 1 and No. 2. (Fig. 13)

6. Lift the fan motor with the blades and place into the hanger bracket, rotating the ball until the groove engages the tab on the hanger bracket. This locks the ball mount and fan motor, preventing fan rotation during operation. (Fig. 14)

**Important assembly process**, it is a must to require 3 persons at least to lift the fan assembly onto the hanger bracket.

7. An additional safety support is provided to prevent the fan from falling. Secure the safety cable to the ceiling joist with screw and washer, as illustrated in Fig. 14.

Fig. 10

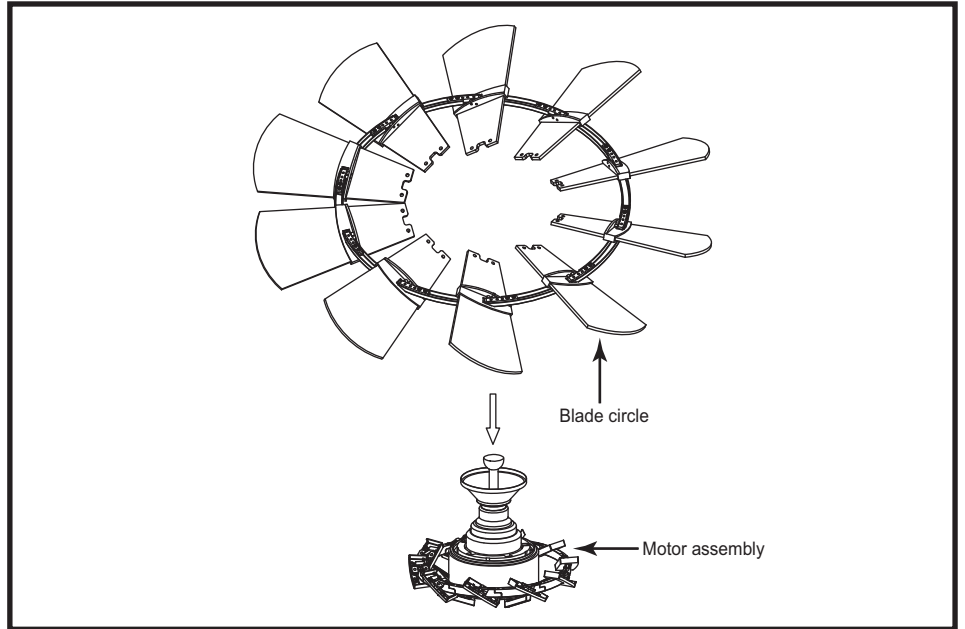


Fig. 11

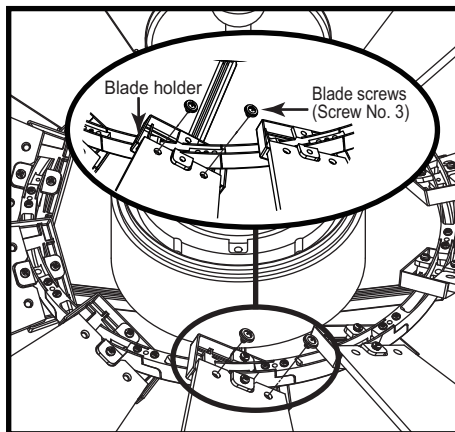


Fig. 12

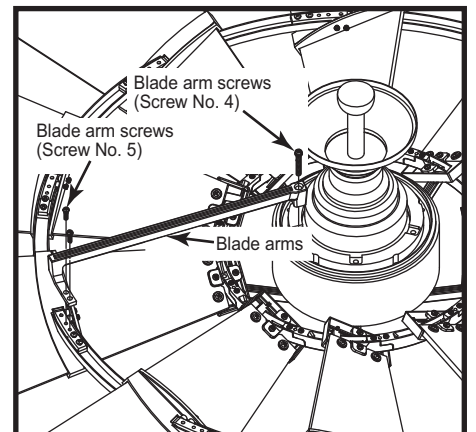


Fig. 13

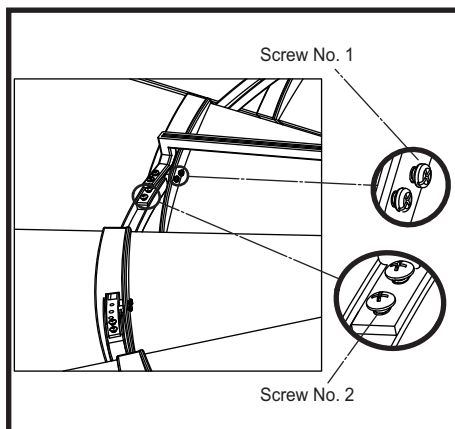
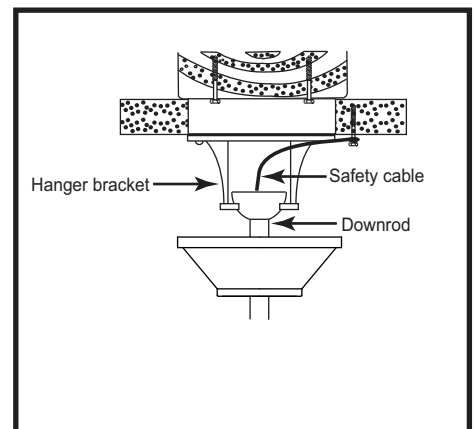


Fig. 14



# 7. ELECTRICAL CONNECTIONS

**REMEMBER** -Turn off the power! **NOTE** - Control must be installed within 30 feet of fan.

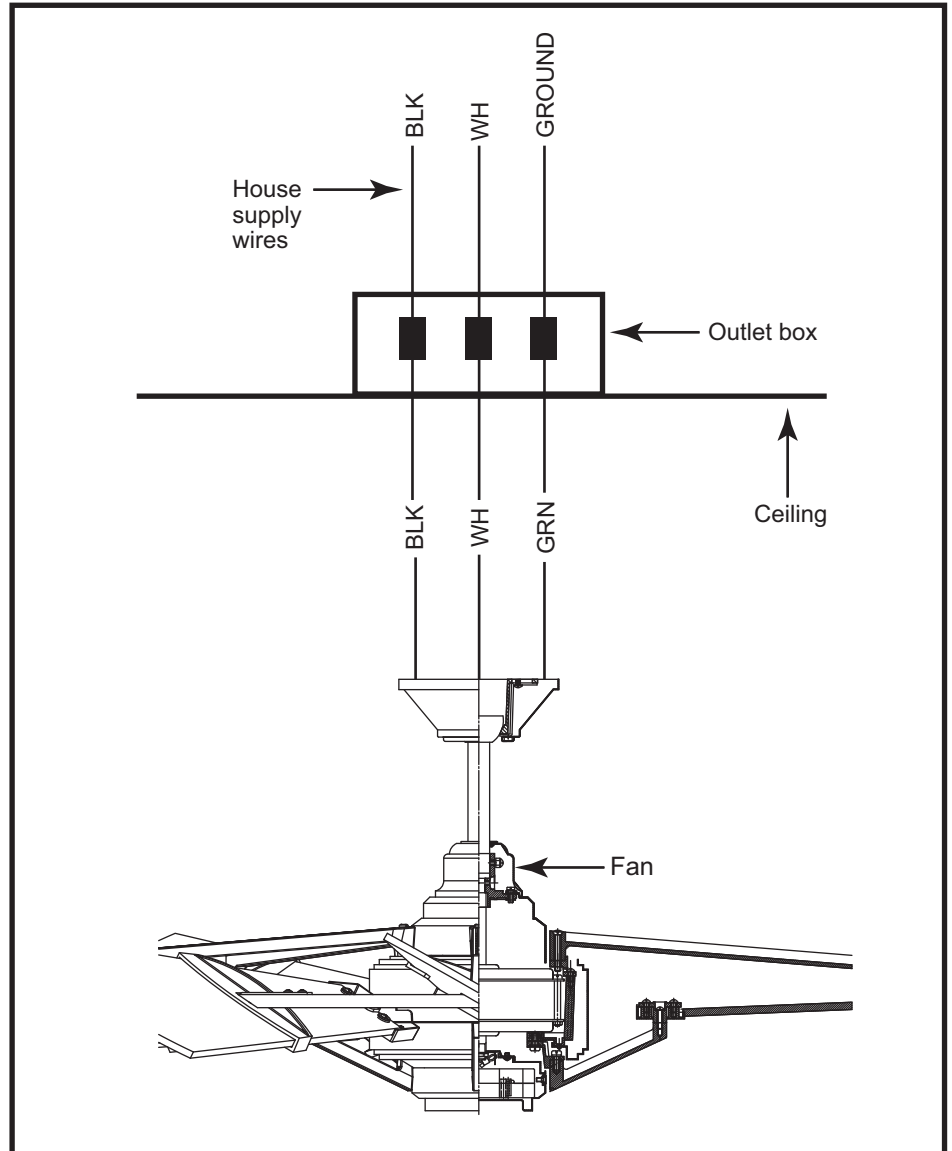
Use the wire nuts supplied with your fan when making connections. Secure the connectors with electrical tape and make sure there are no loose connections or wire strands.

1. Spread the wires apart so that the black wire from the fan is on one side of the mounting bracket and the white wire and green ground wire are on the other side.
2. (Fig. 15) Connect the BLACK building supply wire to the BLACK fan wires. Connect the WHITE building neutral wire to the WHITE fan neutral wire. Connect the COPPER building ground wire to the GREEN fan ground wire.

Carefully tuck the connected wires inside the junction box. Secure the transmitter with the two screws provided. Attach the face plate over the transmitter with the two screws provided.

Use **ONLY** remote controls approved by Quorum. Use of unapproved remote controls will cause unacceptable humming noise, and avoids the fan warranty.

Fig. 15





# 8. COMPLETING THE INSTALLATION

1. Make sure the wiring is safely inside the outlet box as instructed in **Step 5 - Electrical Connections**.

To install the canopy, slide the canopy up to hanger bracket and place the key hole on the canopy over the screw on the hanger bracket, turn canopy until it locks in place at the narrow section of the key holes. (Fig. 16) Align the circular hole on canopy with the remaining hole on the hanger bracket, secure by tightening the two set screws, lift canopy cover and attach by turning clockwise. **Note:** Adjust the canopy screws as necessary until the canopy and canopy cover are snug. (Fig. 16)

Fig. 16

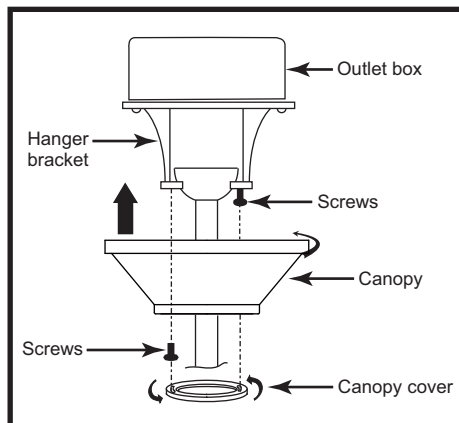
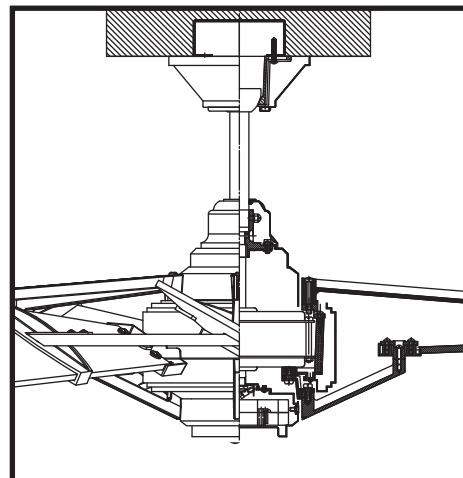


Fig. 17



# 9. INSTALLING THE BATTERY

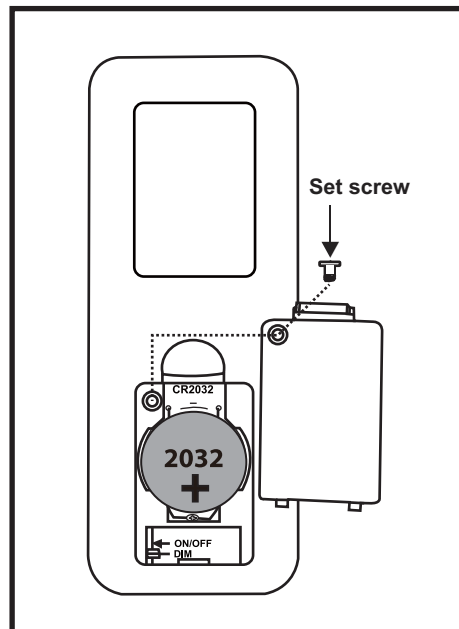
**Warning:** Chemical Burn Hazard. Keep batteries away from children.

This product contains a lithium button/coin cell battery. If a new or used lithium button/coin cell battery is swallowed or enters the body, it can cause severe internal burns and can lead to death in as little as 2 hours. Always completely secure the battery compartment. If the battery compartment does not close securely, stop using the product, remove the batteries, and keep it away from children. IF you think batteries might have been swallowed or placed inside any part of the body, seek immediate medical attention.

The batteries shall be disposed of properly, including keeping them away from children; Even used cells may cause injury.

Remove the set screw on the back of transmitter, take out the battery cover. Insert the 3 volt battery (included) and make sure they are seated correctly in each recess with the Positive + sign facing up. When remove or insert the batteries, use a suitable screwdriver to loosen or tighten the screws and open the back cover. (Fig. 18)

Fig. 18



# 10. OPERATING YOUR TRANSMITTER

Your DC brushless motor is equipped with an automatically learned type remote control. There is no frequency switches on the receiver or transmitter. The fan can start to use once the pairing process is done.

## Operation Instructions

A. 1, 2, 3, 4, 5 and 6 buttons:

These six buttons are used to set the fan speed as follows:

- 1= minimum speed
- 2= low speed
- 3= medium low speed
- 4= medium speed
- 5= medium high speed
- 6= high speed

B. 0 button:

This button turns the fan off.

C. The "↕" button:

The "↕" button turns the upper light ON or OFF and also controls the brightness setting. The "↕" button turns the bottom light ON or OFF. Press and hold the button to set the desired brightness. The light key has an auto-resume, it will stay at the same brightness as the last time it was turned off.

D. The "↔" button is used to set the fan forward or reverse, press the button forward (for warm weather) or reverse (for cool weather).

**NOTE:** To operate the reverse function on this fan, press the reverse button while the fan is running.

E. "DIM" and "ON/OFF" dip switch: (Fig. 20)

The "DIM" selection is the light dimmable selection for LED light only. The "ON/OFF" selection is the light on only (no dimmable function).

## Pairing Process

With the fan's power off, restore power to the fan. Press and hold "0" button for about 5 seconds and release. If optional light kit is installed, the light kit will flash twice and the signal light on the remote control will come on when the button is pressed. The fan has completed the pairing process with the remote control and is ready for use.

**NOTE:** A single fan can be controlled with as many as 3 remote controls in one room. Every control will need to repeat the pairing process based on instructions above and all controls must be within 30 feet of the fan.

If a room has two fans installed, each fan will need its own remote control. A single control CAN NOT more than one fan. Each fan will need to go through the pairing process individually. While running the pairing process on the first fan, turn power off to the second fan. When finished the pairing process for the first fan, turn the power off and restore power to the second fan and run the pairing process- **NOTE** the "0" button must be pressed within 60 seconds of restoring power to the second fan.

**NOTE:** If multiple fans are installed on the same circuit, each fan must have its own switch leg. Each fan and remote control pair must have its own wire from the control to the fan (the wire from the control to the fan can NOT be shared). There can NOT be a jumper wire running from fan to fan.

## The receiver provides the following protective function:

1. **Lock position:** The DC motor has a built-in safety against obstruction during operation. The motor will be locked operation and disconnect power after 30 seconds of interruption. Please remove obstacles before re-set.

2. **Over 80W protection:** When the receiver detects motor power consumption which is greater than 80W, the receiver power will be stopped and operation will immediately discontinue. Turn the receiver power on after 5 seconds.

Fig. 19

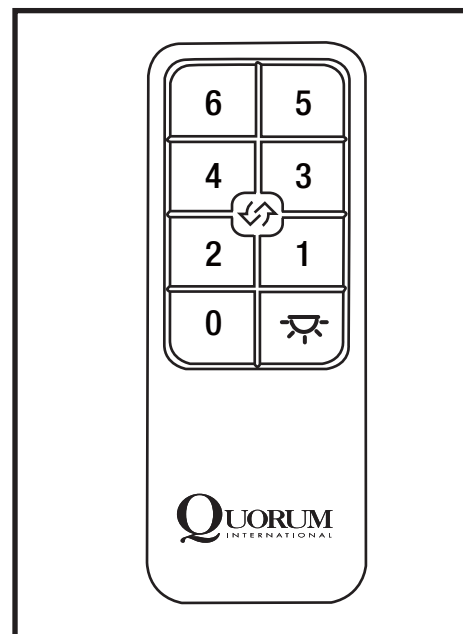
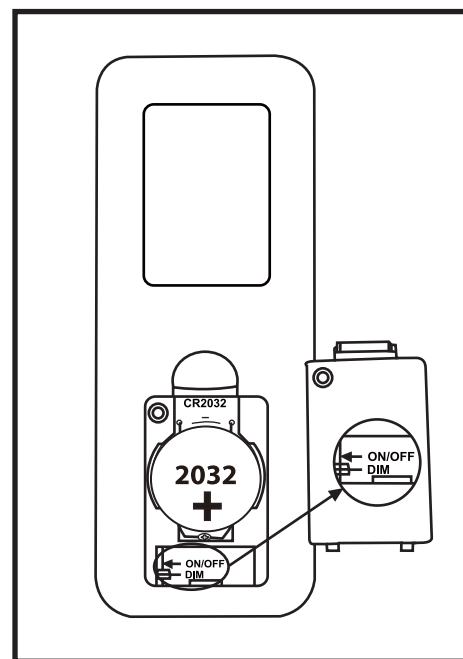


Fig. 20



# 11. FAN OPERATION AND CARE

1. A ceiling fan is an environmentally smart choice to cool as well as to help warm your home or office. Adjust your HVAC thermostat during fan use to save additional energy and money on your air conditioning and heating utility bills. You should see a significant reduction in both your heating and cooling costs by regular use of your fan.

Do not hesitate to use your fan during summer and winter months. In summer, (Fig. 21) using the reverse switch, adjust the fan's direction so cool air is blown down, producing a cooling breeze. In winter, (Fig. 22) reverse the fan so that an upward airflow will push warm air off the ceiling and circulate it downwards into the living area. In winter months, use the fan at a lower speed than summer.

2. Periodically check tightness of all screws securing the blades to the blade arm attachment points. A clicking or a rattling noise is a sure indication of loosening screws. Since screws will invariably work loose over time, at least once a year, tighten all the screws attaching blades to blade arms. **Do not bend blade arms when cleaning or servicing the fan.**

3. Clean you fan periodically using only a cloth dampened with a mild detergent solution for all hardware - never use solvents. The finish plating is lacquered to prevent tarnishing. Use a lint-free cloth with clean water to clean blades.

4. You will never need to oil or lubricate your fan. Its permanently sealed bearings will provide trouble free, silent operation for many years.

5. If repairs or servicing are ever required, to avoid possible electric shock, **turn off the electricity** at the main fuse or circuit panel before you begin.

Fig. 21

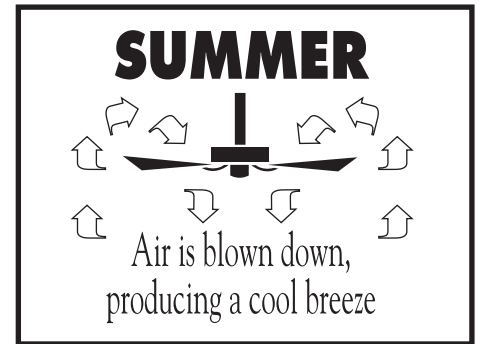
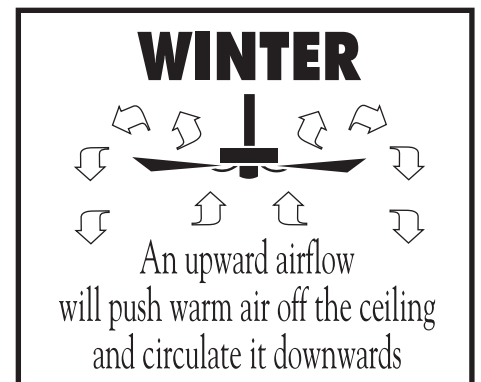


Fig. 22



# 12. TROUBLESHOOTING

## FAN WILL NOT START

1. Check that the electricity has been turned on at the circuit breaker which had probably been turned off during installation.
2. Turn off the electricity. Check all connections in the wiring of the fan at the ceiling and make sure it follows the wiring instructions outlined in this manual.
3. The fan must be installed at a maximum distance of 30 ft. from the remote control for proper signal transmission between the remote control and the fan.

## NOISE

**Note:** Always allow a day or two "run-in" time for any new fan at medium or high speed. When attempting to diagnose noise, listen carefully from several sides to try and isolate the location of the noise (blade, upper end, motor, light kit, etc.)

1. Tighten all screws attaching blades to blade arms. Remember to tighten these screws at least once a year because they may loosen slowly over time and cause a clicking noise.
2. Turn off the power. Loosen the canopy and check that the wiring and/or wire nut connectors are not resting against the canopy, possibly vibrating while the fan is on.

3. Use of a standard light rheostat or an unapproved fan remote control to control the fan speed will always cause an annoying "hum". Many fan motors do not work quietly with solid state variable speed controls.
4. Check that the rubber gasket on the mounting bracket has been installed if called for in the installation instructions.
5. Check that the canopy is not touching the ceiling.
6. Check that all screws on the motor housing and the bottom housing are tight.

## FAN TURNS, BUT DOES NOT MOVE MUCH AIR

1. The fan may be running in reverse. Press the reverse button on transmitter to set the fan in forward operation.
2. The distance from the ceiling to the blades may be too small. For downrod fans, optimal placement would be 8-9 feet from the floor.
3. The room may contain items which obstruct the air flow.
4. The fan may be too small for the size of the room.

## EXCESSIVE WOBBLE

**Note:** A small amount of wobble is considered acceptable and should not be considered a defect.

1. Make certain all blades are tightly attached to each blades' respective blade arm.

## REPLACEMENT PARTS

For replacement parts, contact your local dealer.