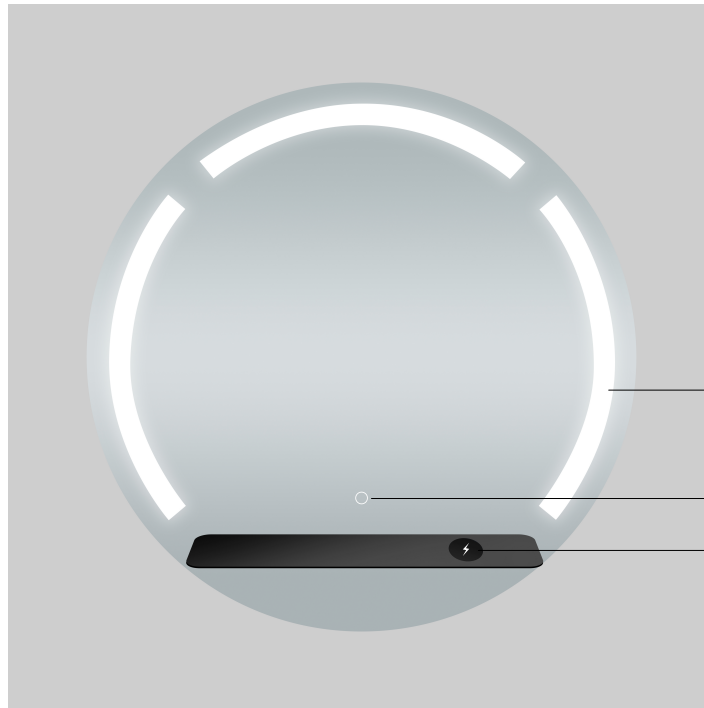


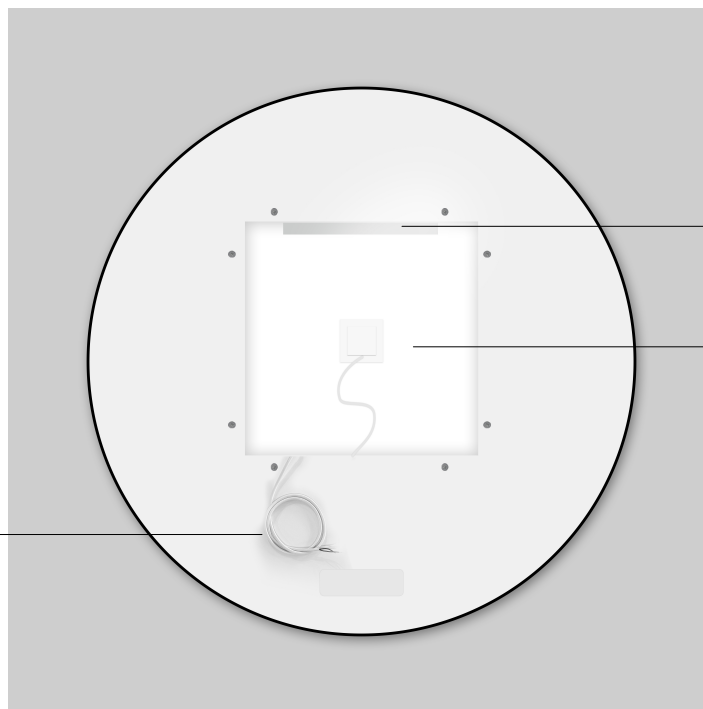
SKYLIGHT INSTALLATION INSTRUCTIONS



▶ LED strip

▶ Touch switch

▶ Wireless charging



▶ Hanger

▶ Defogger

Power cord ▶

SKYLIGHT INSTALLATION INSTRUCTIONS

Warnings and precautions for use regarding the electrical connections.

Our products are intended exclusively for indoor use. The electrical connection and any subsequent electrical adjustments must be carried out solely by a qualified electrician, who will adhere to all applicable electrical regulations and instructions. In the event that the external flexible cable or cord of this appliance becomes damaged, it must be replaced solely by the manufacturer or their authorized agent to prevent any potential hazards.

Mirror/Sensor Operation:

First Touch: all the light bars illuminate

Second Touch: the top light bar goes off

Third Touch: all the light bars turn off

Color change: when lights are on, a quick double touch changes the Kelvin temperature

Dimmer: when the lights are on, hold down the touch sensor and the dimmer is activated

Defogger: the defogger comes on together with the lighting



Appliance not suitable for being covered with thermal insulation material.



Appliance for indoor use only.

SKYLIGHT INSTALLATION INSTRUCTIONS

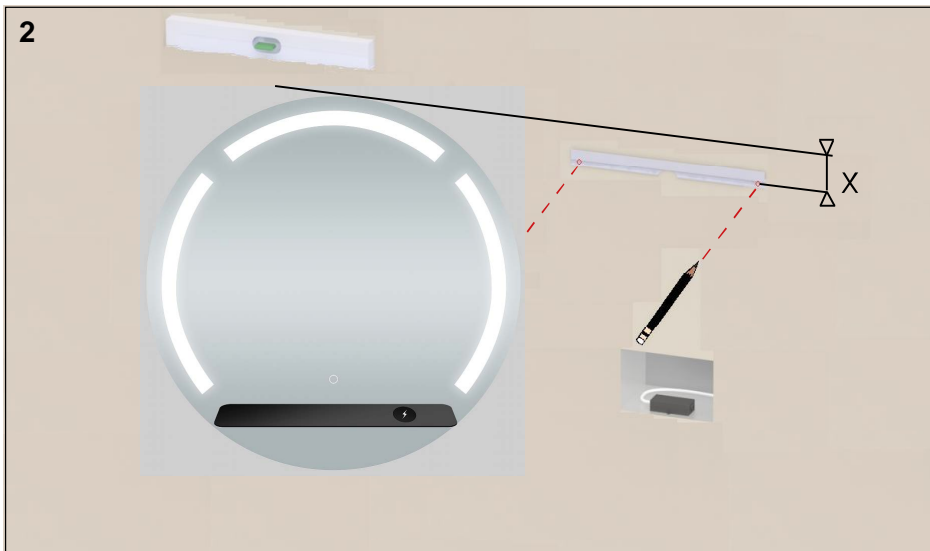
TOOLS REQUIRED



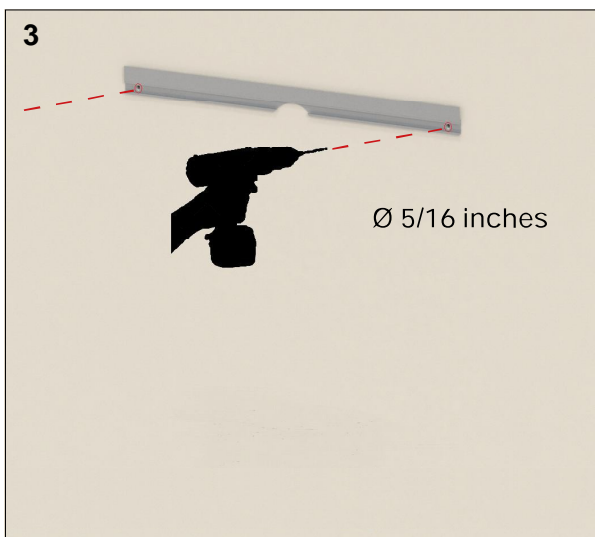
1. Gather a pencil, level, measuring tape, stud finder, and painter's tape. Retrieve the fixing bar from the packaging.

Contains:

1 x Mirror, screws, wall plugs

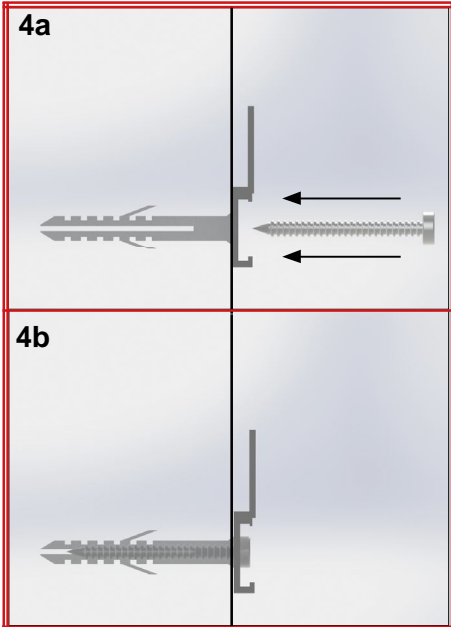


2. With a level, position the fixing bar so that it is perfectly level. Calculate "X" from the hole of the fixing bar to the top of the mirror.



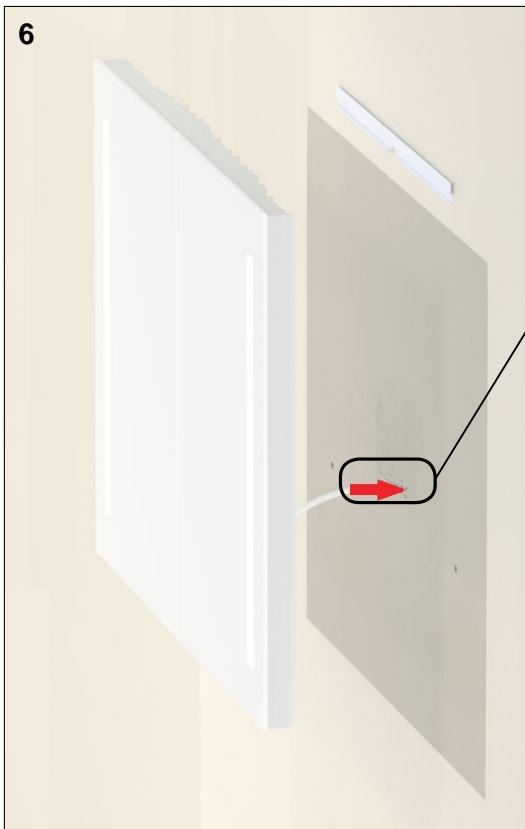
3. Utilize the stud finder to scan the desired mounting holes. Check for electrical wires, water pipes, and wood studs. Avoid drilling where electrical components or water pipes are present. Seek professional assistance if needed.
Align one of the marked holes on the wall with the hole on the fixing bar. Ensure that the fixing bar is oriented on the wall according to the diagram below. Adjust the fixing bar until it is level, then mark the position of the second hole.

SKYLIGHT INSTALLATION INSTRUCTIONS

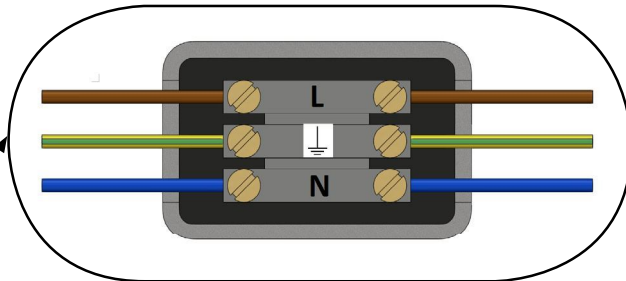


4. Drill and insert the screw anchors suited to the type of wall to which the mirror will be fixed to. If mounting on drywall, use the provided screws according to the diagram. For wood studs, use only the provided screws.

5. Secure the top fixing bar to the wall with screws, ensuring it is level.

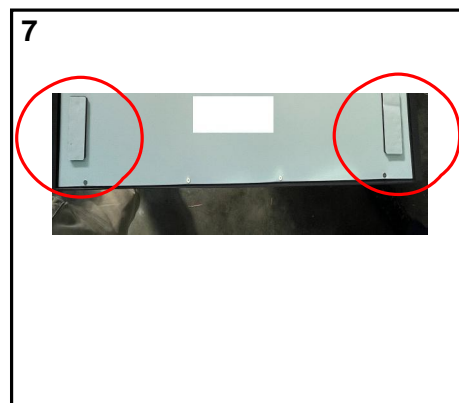


WIRING DIAGRAM



6. Turn off the power.
Connect the mirror wiring in an IP44 approved connect box (not included) which can be inserted into the wall anywhere behind the mirror.
Before hanging the mirror, consult an electrician to make the necessary electrical connections. Ensure the connections are made in an approved junction box suitable for the installation environment. All three wires (line, neutral, and ground) must be connected to the power source.
Once the electrical connections are completed, securely hang the mirror on the fixing bar.

7. Peel off the protection of the velcro adhesive backing, hang the mirror on the bar and press lightly to make the adhesive stick to the wall or tile.

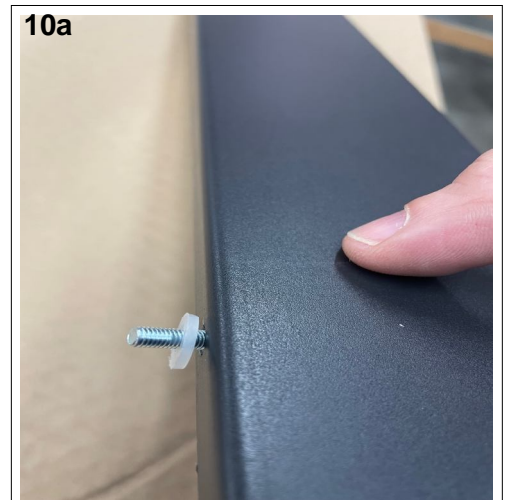


SKYLIGHT INSTALLATION INSTRUCTIONS

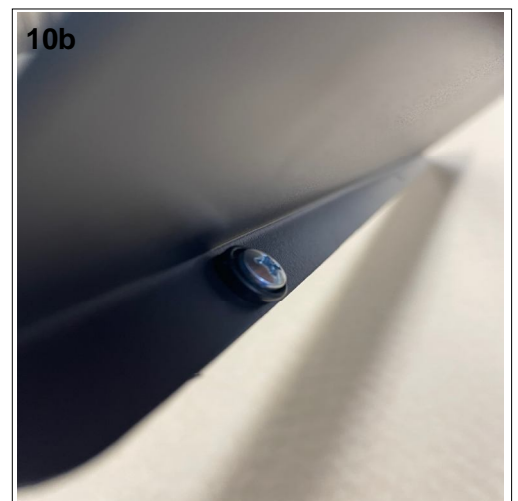
8. Shelf assembly hardware.



9. Insert the transparent rubber protection inside the mirror glass holes.

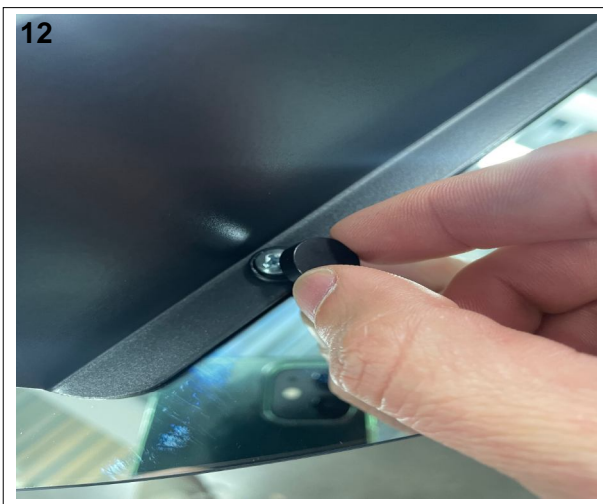


10. Put the spacer rubber and the screw cover base as shown in the photo.

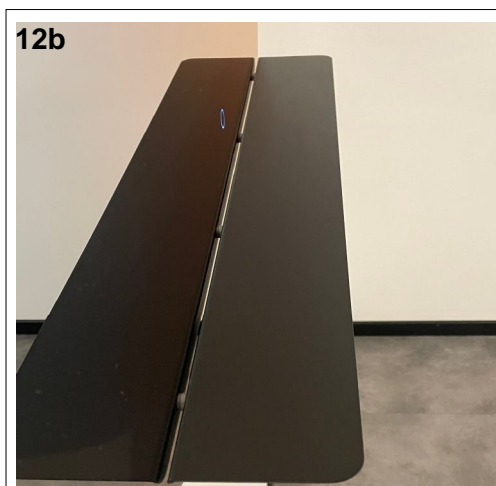


SKYLIGHT INSTALLATION INSTRUCTIONS

11. Tighten the screws manually with a screwdriver, tighten them moderately to avoid breaking the mirror. Do not use power tools.



12. Put the screw caps on.



SKYLIGHT INSTALLATION INSTRUCTIONS

Operating Instruction:

The defogger function is ON only when the mirror is illuminated.

Product Care:

1. Do not use abrasives or solvents when cleaning your mirror. Low PH products and a polishing or soft cloth are recommended.
2. Do not spray the mirror directly with cleaning solution. Spray the cloth and then wipe the mirror with the moist cloth.
3. If the mirror has been turned on for an extended period of time, turn it off and let it cool - if equipped with a defogger - before cleaning.

Product Life:

At the end of its useful life, entrust the unit to the local waste disposal company.